

AC-DC SERIES: P222

Third generation of planar transformers

Features

- High power planar transformer for AC/DC SMPS.
- According UL1950 / EN60950.
- UL 94V0 material.
- Storage temperature from -20°C to 130°C.
- Operating temperature -20°C to 85°C.
- Power up to 70W.



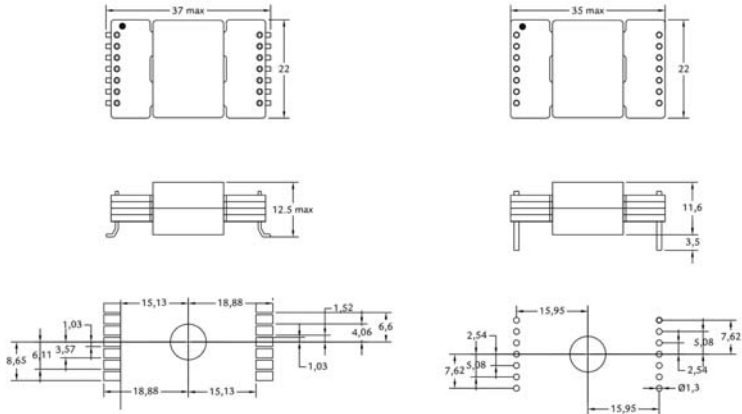
Electrical specifications

Part Number	Input Voltage Vdc (V)	Output Voltage (V)	Output Current (A)	Power (W)	Frequency (kHz)	Duty cycle	Topology	Inductance (mH±25%)	Typ Leakage Inductance (µH)	Turns Ratio (Pri:Sec)	Max Total losses (W)
P222WD3DX1	100-350	5	14	70	150	0,48	Forward dual	3,13	0,5	9:1	1,4
P222WD3DX2	100-350	12	6	70	150	0,49	Forward dual	2,47	0,5	4:1	1,4
P222WD3DX3	100-350	24	3	70	150	0,47	Forward dual	2,47	0,5	2:1	1,4

Notes

Replace X by S for SMD application and P for PTH application.

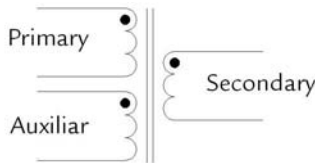
Dimensions



Recommended PCB layout

Recommended PCB layout

Schematics



FORWARD DUAL